

# EFB 172 x 150 x 50.8 MM SERIES

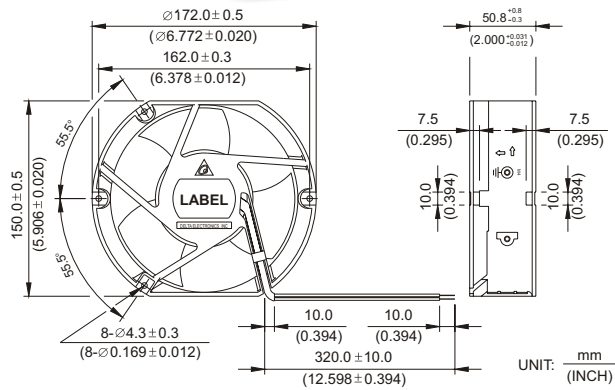
XL AXIATA & SMARTFREN SPECIFICATION



DC FAN DELTA TYPE EFB 1548HHG

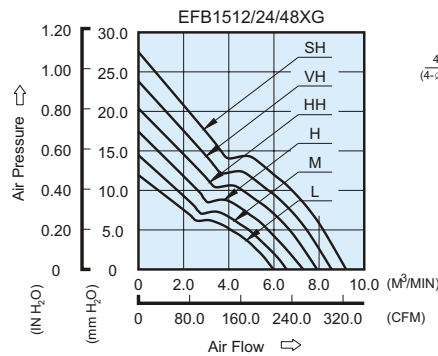


### DIMENSIONS DRAWING

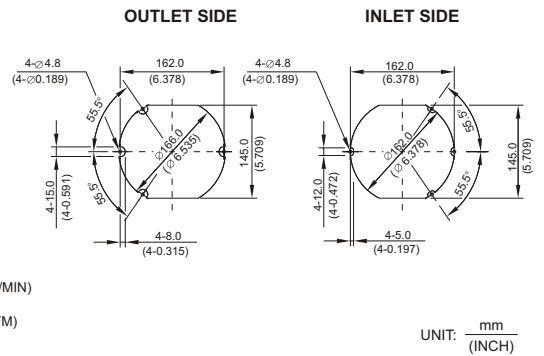


- \* Bearing Type  
Ball Bearings
- \* Material  
Impeller : Plastic (UL 94V-0)  
Frame : Die-Cast Aluminum
- \* Lead Wires :  
UL 1007 AWG #24 OR Equivalent  
Red Wire Positive (+)  
Black Wire Negative (-)
- \* Weight : 840g (29.62 oz)

### P & Q CURVE (AT RATED VOLTAGE)



### MOUNTING PANEL CUTOUT



MODEL		Rated Voltage	Operating Voltage Range	Rated Current	Rated Input Power	Speed	Maximum Air Flow		Maximum Air Pressure		Noise
PART NO.	FUNCTION	VDC	VDC	Amp	Watt	R.P.M.	m <sup>3</sup> /min	CFM	mmH <sub>2</sub> O	IN H <sub>2</sub> O	dB-A
EFB1548HHG	-R00 / -F00	48	24.0 to 60.0	0.38	18.24	3700	7.920	279.69	20.30	0.800	57.5

\* Function type is optional.  
 \* The max. air flow and the speed are measured in free air ; max. air pressure is measured at zero air flow.  
 \* Noise is measured in anechoic chamber in free air, one meter from intake side.  
 \* All readings are typical values at rated voltage.  
 \* Specifications are subject to change without notice.

### AUTHORIZED DISTRIBUTOR



**PT BERATHI**  
 Jl. Kresek Raya No. 21 K Duri Kosambi  
 Cengkareng-Jakarta 11750  
 Telp (62-21) 5437 2708, 7027 5036  
 Fax (62-21) 5438 1361